

SINGLE PHASE INDUCTORS

单相电抗器

-Protection IP-00

IP-00 保护

-Isolation Class B or F

绝缘等级为B或F级。

-Temperature 40°C

-环境温度为40°C

-Test 4000V 50Hz

耐压测试4000V 50Hz

-Winding class CU H-200°

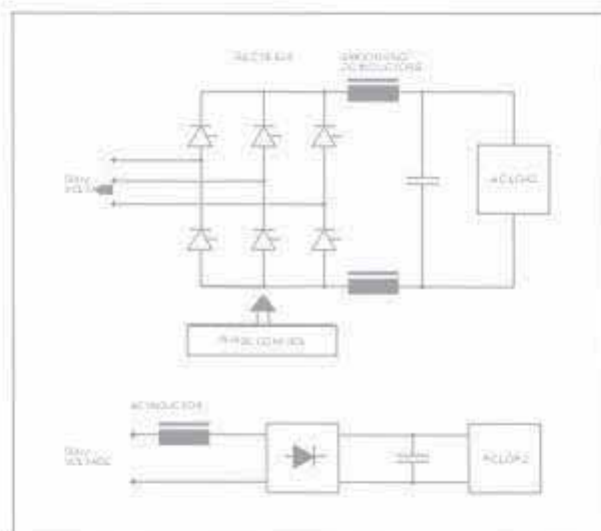
漆包线的耐热等级为H-200°C

-Standarts UNE-EN60289

UNE-EN-60289标准

-CE marking

CE认证



APPLICATIONS 用途

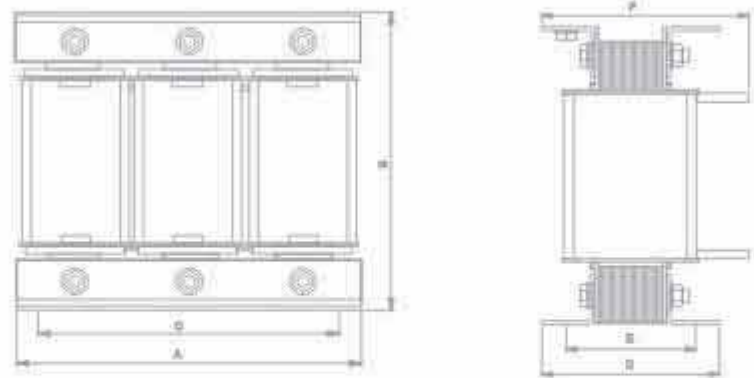
In DC System, to limit or to filter, in combination with parallel connected capacitor, the ripple of direct current, in order to eliminate its undesired effects on the load.

在直流系统中，抑制或滤掉直流中的纹波，以排除对负载的不利影响。

In AC system, To limit the short-circuit currents and the rate of rise of current (di/dt). To attenuate the current peaks and the voltage sags. They can protect semiconductor power devices and extend their operating life by limiting transient overcurrents.

在交流系统中，抑制短路电流和电流上升率，衰减电流峰值和电压跌落，通过限制瞬态过电流，保护半导体电源设备并延长使用寿命。

THREE PHASE INDUCTORS 三相电抗器



THREE PHASE SHELF 三相电抗器

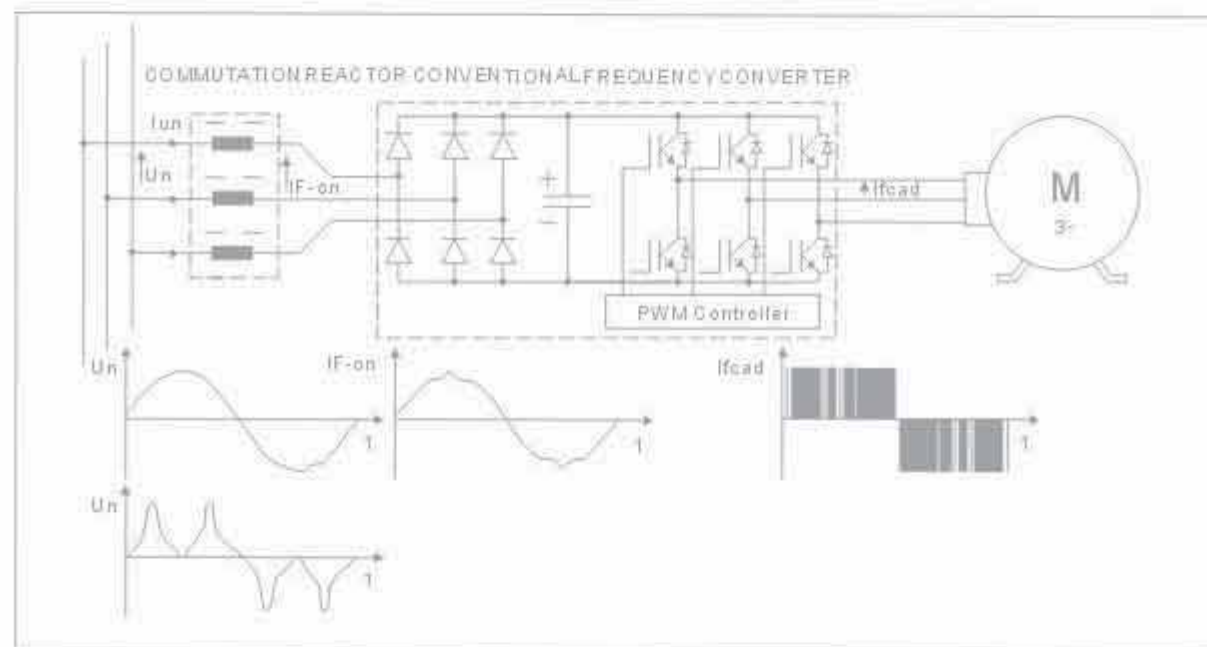
DESCRIPTION	尺寸(mm) Dimensions					
	A	B	C	D	E	F
0.8mH 35A	190	150	105	105	83	165
0.7mH 40A	190	160	105	125	103	185
0.66mH 50A	190	150	105	135	113	195
0.35mH 80A	240	200	210	110	80	160
0.28mH 100A	240	200	210	120	90	170
0.232mH 120A	240	200	210	130	100	180
0.175mH 160A	300	250	270	130	100	180
0.14mH 200A	300	250	270	160	130	210
0.093mH 300A	360	300	330	150	110	200
0.07mH 400A	360	300	330	170	130	220
0.056mH 500A	360	300	330	180	140	230
0.048mH 600A	420	350	390	190	150	240
0.037mH 750A	480	400	450	200	150	250
0.027mH 1000A	480	400	450	230	180	280

Other voltages and power on demand. 可按客户要求订做!

THREE PHASE COMMUTATION INDUCTORS 三相整流电抗器



- Rated Current: 10 ~ 1200A
额定电流: 10 ~ 1200A
- Voltage drop du %: 2 / 4 / 6 / 8 / 12 %
电压降: 2 / 4 / 6 / 8 / 12 %
- Rated line voltage: < 1 000V
额定线电压: < 1 000V



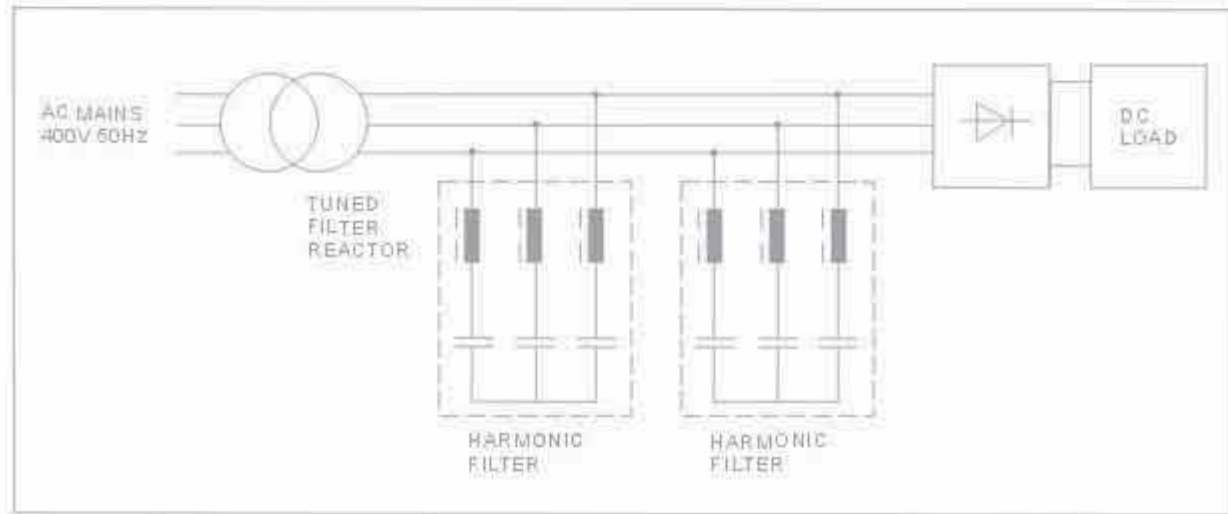
APPLICATIONS 用途

To reduce harmonics in the line current, to limit the short circuit current, to attenuate the line voltage peaks and sags and to extend the power semiconductor device's operation life, by limiting the transition currents during switching instants.

减小线电流里的谐波成分, 限制短路电流, 衰减线电压波峰波谷值, 限制开关期间的转换电流, 延长电力半导体设备的使用寿命。

RECTIFIER INDUCTORS 三相滤波电抗器

- Rated Current: 10 ~ 1200A
额定电流: 10 ~ 1200A
- Rated line voltage: < 1000V
额定线电压: < 1000V



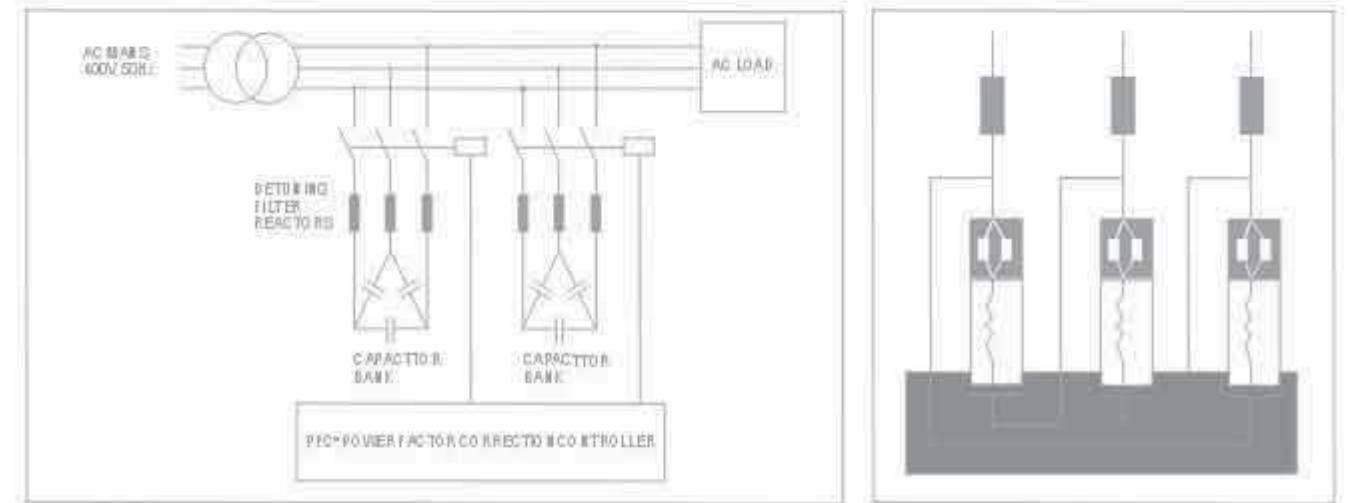
APPLICATIONS 用途

Reduce the harmonic content of the currents involved.
Providing low impedance path between phases for current at one or more harmonic frequencies.

减少电流的谐波含量。
为某次或多次谐波电流提供相间的低阻抗回路。

ANTIRESONANCE INDUCTOR 反谐振电抗器

- Compensation Power Qc: 0.3 ~ 100 Kvar
补偿功率: 0.3 ~ 100 Kvar
- Detuning: 5.67% / 7% / 14%
调谐系数: 5.67% / 7% / 14%



APPLICATIONS 用途

To protect capacitors in low voltage factor correction system.
The single phase reactor can be customer-made to meet the special requirement.

保护在低电压功率因数校正系统中的电容。
亦可按照用户需求设计成单相电抗。